

echo[®]
hydrogen enriched H_2 water

Echo H_2 [®] Server



Table of Contents

Product Advantages.....	2
Precautions For Safe Use.....	3
Product Structure.....	4
Installation Method.....	5
How To Use.....	6
Product Specifications.....	7
Trouble Shooting Chart.....	8
5-Year Product Warranty.....	9


Product Advantages


- 1 The compact size makes it easy to install the under-sink. Can be installed cabinet wall.
- 2 Generates high-concentration hydrogen water in real-time with no storage.
- 3 High dissolved molecular hydrogen concentration.
- 4 Great flow rates of 1.3 L/min.
- 5 Discharge OH and ozone by PEM system. (no odor of ozone in the water.)
- 6 You can use reverse osmosis to increase durability and more pure hydrogen production.
- 7 Ensure electrical stability while using low voltage DC Power.
- 8 Generate hydrogen water even when no minerals are in the source water.





Precautions For Safe Use

Please be sure to keep the following instructions to ensure correct use and to prevent unexpected damage to unit.

 **Serious Warning** Please follow safety instruction to avoid injury.


 **Caution** Please follow instructions to avoid minor injury or product damage.

 The symbol in this picture is a sign for caution that can result in serious harm.

 This picture symbol is a protective symbol that must be followed.

Do not attempt to disassemble or operate the device on your own. It may cause product damage.

Do not damage product. Doing so may cause injury or product damage and Void **Warranty**.


 Residential and light commercial use only. **Do not** use it for more than 10 min. continually. **Do not** use this appliance for any use other than the intended use.

Do not install where the temperature and humidity are high.

Do not install without **Surge Protector** being used.

Do not place anything on top of the machine.

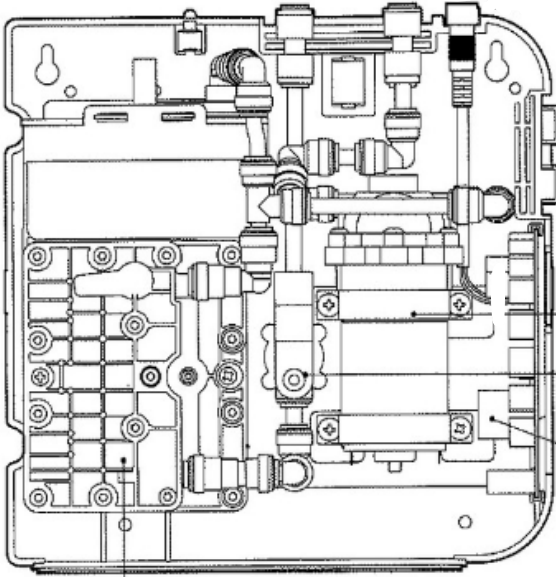
Clean with a damp cloth using water. **Do not** wipe with thinners, benzene, alcohol, etc.

 Please use it in a flat safe place that.
Do not move machine when operating. Turn off and unplug machine before moving.

Unplug the unit if you anticipate not using the device for along period of time.

Product Structure

LED Outlet Inlet DC 12W



Pump
High Pressure
Switch
PCB

Hydrogen Water Generator

Product Installation Hole

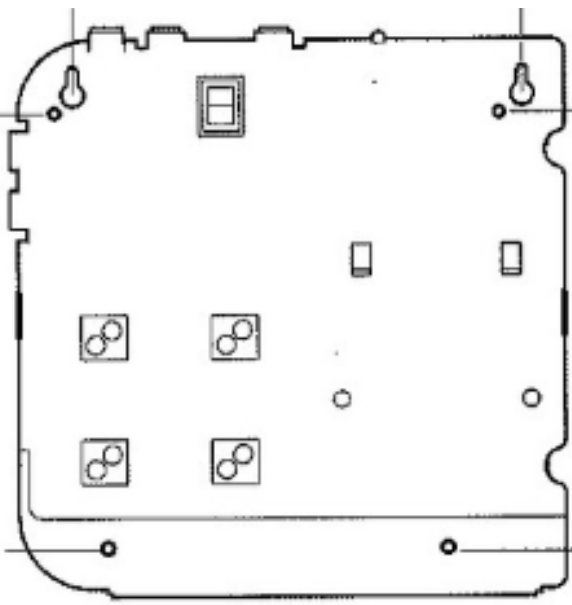
Product Installation Hole

Main Body
Fixing Hole

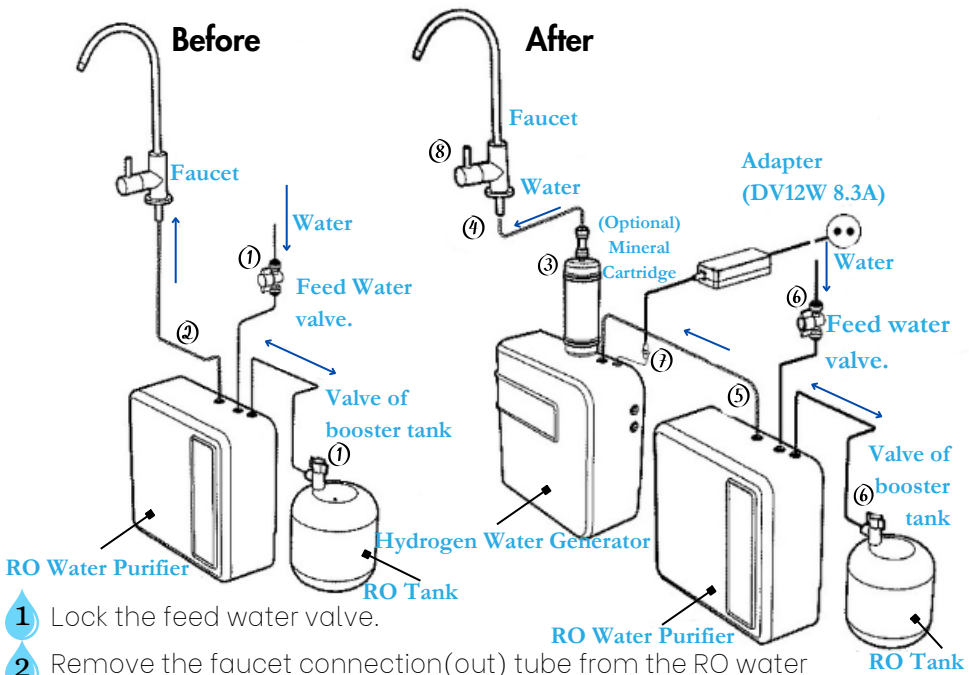
Main Body Fixing
Hole

Main Body
Fixing Hole

Main Body Fixing
Hole



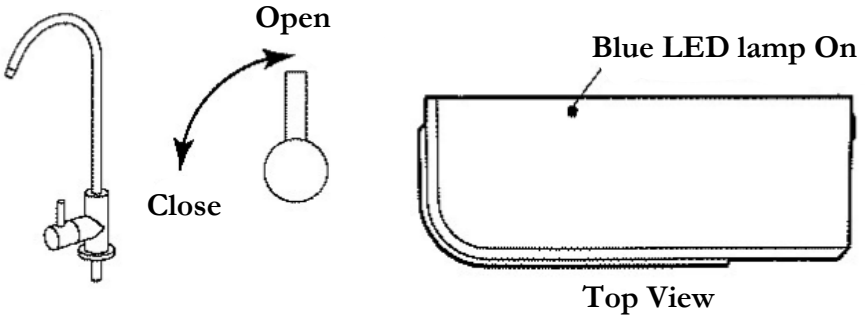
Installation Method



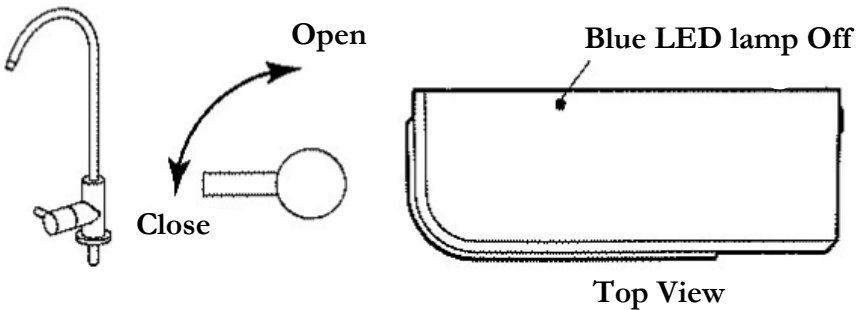
- 1 Lock the feed water valve.
- 2 Remove the faucet connection(out) tube from the RO water purifier body.
- 3 (If applicable) connect the (optional) mineral cartridge to the hydrogen water outlet.
- 4 Connect the water tube, from the Echo H2° Server to the faucet. If you have the optional mineral cartridge connect this in the tube from Echo H2° Server to the faucet.
- 5 Connect the end of the new tube to the faucet water exit(out of the RO water Purifier body and the other to the Echo H2° Server in.
- 6 Open the water valve on the booster tank of the RO water purifier to see if there is a leak.
- 7 Insert the power adapter(DC12V 8.3A) Plug into the Echo H2° Server power connection and plug into Surge Protector.
- 8 Please turn on and off the faucet valve repeatedly to ensure that the Echo H2° Server is normally operating

How To Use

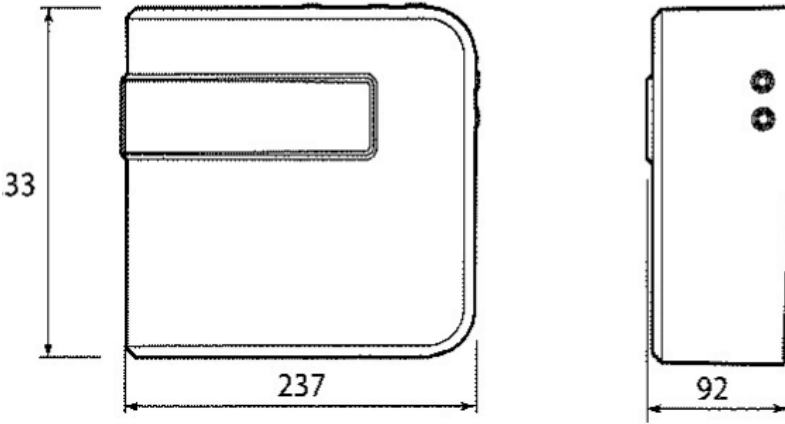
When you open the faucet valve, the blue LED lamp at the top of the machine is turned on and the hydrogen water generator is activated to make hydrogen water.



When the faucet valve is closed, the blue LED lamp turns off, the hydrogen generator stops working, and hydrogen generations stops.



Product Specifications



Model	Echo H2* Server
Power Consumption	100 W
ORP	-400~-580 mV
Using temp, range	41°F~104°F/5°C~40°C
Supply Water Pressure	0~0.35Mpa/0~3.6 Kgf/Cm ²
Supply Water Type	RO Water or Filtered Water
Dimension	W 9.3 X D 3.6 X H 9.2in/W 237X D 92 X H 233mm
Hydrogen Generation Method	Real-time mixing of water with Hydrogen
Input Power	12V 8.3A
Usage	Home Use/Light Commercial

Trouble Shooting Chart

Please check the following before calling Technical Support. If the issue continues, please contact Technical Support @ (855)737-1114 or support@echoh2o.com

Issue	Cause	Action
The Pump is working continually.	- The water supply is blocked or the water purifier tank is empty.	- Disconnect the power supply. When the tank is filled with water, begin using it again.
The hydrogen water does not come out after continuous use.	- The user has used the hydrogen water machine for more than 5 mins. continuously.	- Please use it after 5 mins.
Significantly less water comes out.	- Shut off valve not fully open. - Power adapter is not fully installed.	- Make sure all shut-off valves are fully opened. - Make sure the power adapter is fully installed in the back of the electronic module and the plug is completely installed in the outlet.
Water Leaks from Machines.	- Fitting and parts are not firmly connected.	- Shut off the water valve and unplug the machine. Open the side panel, and find the cause of the leak. Contact Technical Support.
Water Leaking out of O ₂ port.	- If water comes out from O ₂ outlet hole.	- Incoming pressure is too high. Install a reducing valve on the water inlet. Contact Technical Support.
Bubble in the water.	- Hydrogen Bubbles.	- Will disappear soon.
Strange working sound.	- Operating sound, hydrogen generator sound.	- This is normal.
Water tastes and smells strange.	- Long term unused.	- Run the machine for a few minutes.

5-Year Product Warranty

Product	Echo H2® Server	Model Number	Echo H2 Server
Serial Number			
Date of Purchase			
Company	Echo Technologies LLC	Customer Support Phone	(855)737-1114
Company Website	echoh2o.com	Customer Support Email	support@echoh2o.co m
Notes			

For **Warranty** information see the QR Code below or visit <https://echoh2o.com/echo-technologies-product-warranty/>

